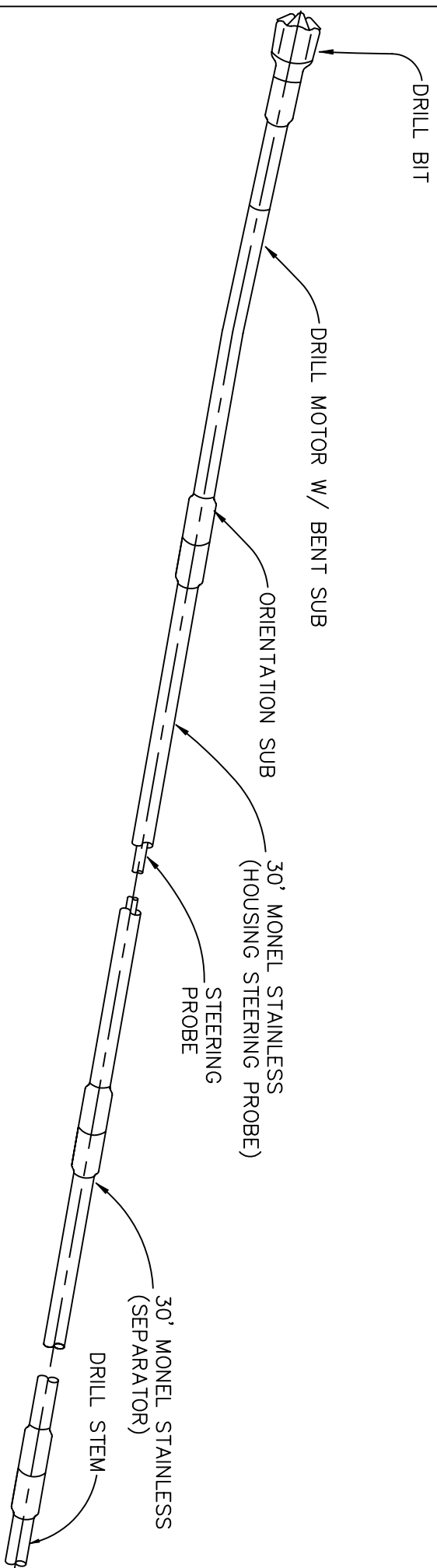


THINK  
SAFETY  
FIRST



**SEQUENCE NO. 1**  
**DOWNHOLE ASSY. W/ DRILL MOTOR**

**PILOT HOLE OPERATION**  
SCALE: NO SCALE

THE INFORMATION DISCLOSED ON THIS DRAWING IS UNCLASSIFIED EXCEPT WHERE SHOWN OTHERWISE. IT IS THE PROPERTY OF LANEY DIRECTIONAL DRILLING CO. AND IS CONFIDENTIAL. ANY REPRODUCTION, DISCLOSURE, OR USE OF THIS INFORMATION WITHOUT WRITTEN PERMISSION IS STRICTLY PROHIBITED.

|      |           |                      |         |
|------|-----------|----------------------|---------|
| △    |           |                      |         |
| △    | 7/8/2002  | UPDATE               | MJD     |
| △    | 6/25/1995 | PILOT HOLE OPERATION | MJD     |
| REV. | DATE      | REVISION             | APPROV. |
|      |           |                      |         |

LANEY DIRECTIONAL DRILLING CO.  
P.O. BOX 1489  
HUBBARD, TEXAS 77947  
(281) 540-6615 FAX: (281) 540-8727  
WWW.LANEYDRILLING.COM

|            |           |          |          |
|------------|-----------|----------|----------|
| DWN \APP.R | DATE      | DWG. NO. | REVISION |
| MAD        | 6/20/1995 | FIG. 1   | 1        |