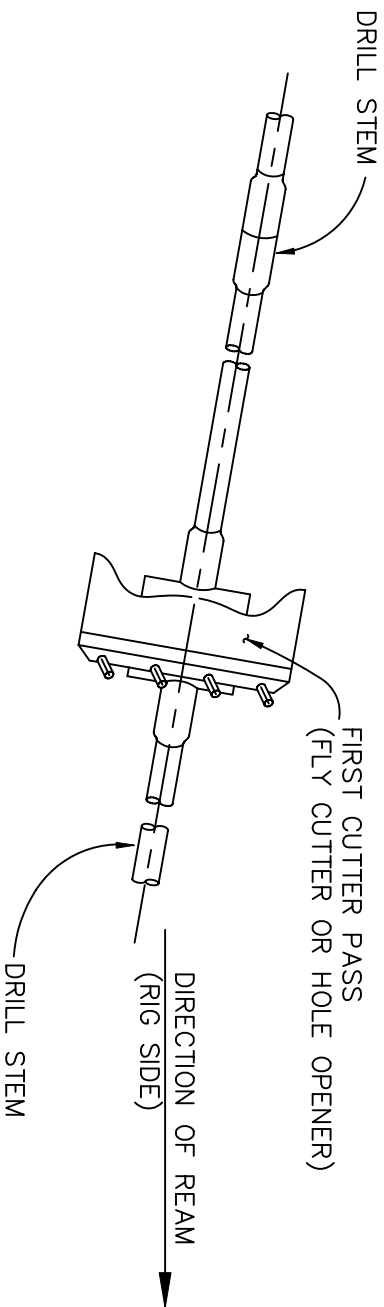


THINK
SAFETY
FIRST



SEQUENCE NO. 2
FIRST REAM OPERATION

FIRST REAM OPERATION
SCALE: NO SCALE

THE INFORMATION DISCLOSED ON THIS DRAWING IS THE PROPERTY OF LANEY DIRECTIONAL DRILLING CO. AND IS CONFIDENTIAL. ANY REPRODUCTION, USE, OR DISCLOSURE OF THIS INFORMATION OR ANY RELATED KNOW-HOW IS STRICTLY PROHIBITED WITHOUT WRITTEN PERMISSION.

△				
△	7/8/2002	UPDATE		ML
△	6/25/1995	FIRST REAM PASS		ML
REV.	DATE	REVISION		APP'D.
LANEY DIRECTIONAL DRILLING CO. P.O. BOX 1499 HUBBARD, TEXAS 77947 (281) 540-6615 FAX: (281) 540-8727 WWW.LANEYDRILLING.COM				
DWN \APP.R.	DATE	DWG. NO.	REVISION	
MAD	6/25/1995	FIG. 2	1	